



**BM-114ORB MYERS
Single Lever Vessel Faucet**

Requested By: _____

Specific Features: _____

STANDARD SPECIFICATIONS:

- Vessel faucet in oil rubbed bronze finish
- Single handle control
- Solid brass construction
- High pressure ceramic cartridge
- Single hole deck mount installation
- 1.5-inch diameter hole required
- Spout reach: 4-inches
- Spout height: 8.5-inches
- Faucet height: 12.5-inches
- Width: 2-inches
- Depth: 7-inches.
- cUPC and AB1953 low lead compliant
- ASME A112.18.1-1-2001/CSA B125.1-11
- NSF 61 and NDF 372 certified

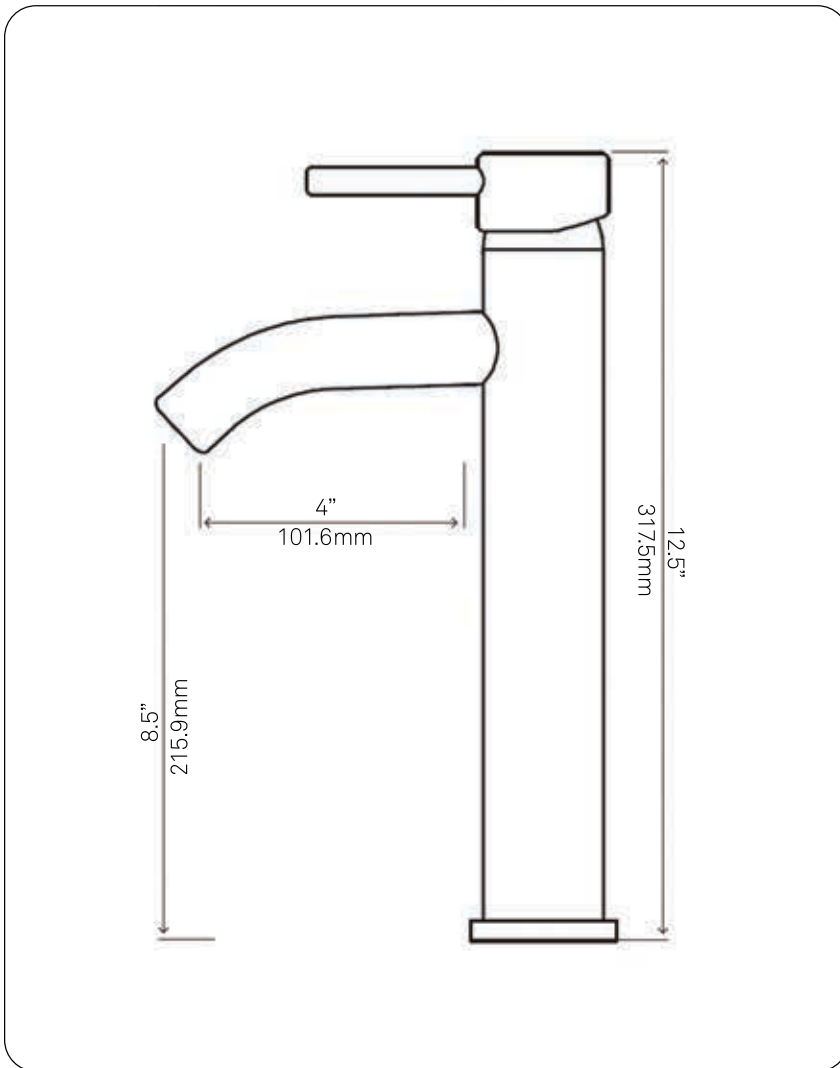
WARRANTY:

- Limited lifetime warranty
- See www.Novatto.com for details

COORDINATING ACCESSORIES:

- PUD-ORB pop-up drain
- MR-001ORB mounting ring
- Glacier Ice Restoration and Sealer kit

NOTES



Novatto reserves the right (1) to make changes in specifications and materials, and (2) to change or discontinue models, both without notice or obligation. Dimensions are for reference only, see www.Novatto.com for finish options and product availability.

Novatto Inc
TOLL FREE 844.404.4242
www.Novatto.com